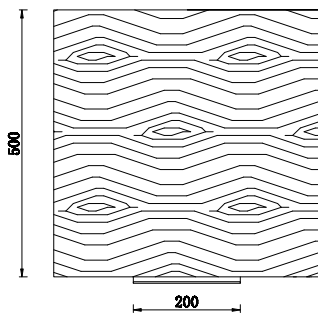
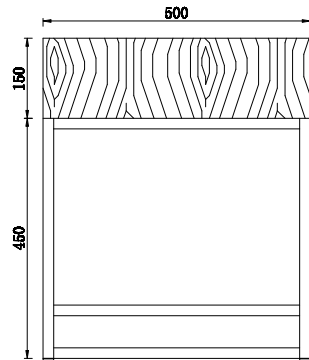
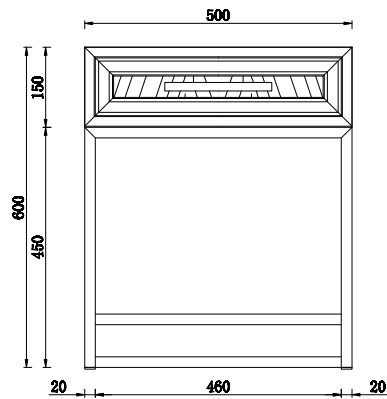


ECCOTRADING
DESIGN LONDON

RENMIN SIDE TABLE CARBON OAK 40CM



the internal dimension of drawer: 414x94x345(mm)

SPECIFICATIONS

Code: HL6021-NK

Size: 50 x 50 x 60cm High.

Spec: Antique carbon brushed oak. Gilt metal details.

For further details please click product link below to view webpage.

Product link <https://eccotradingdesignlondon.com/products/renmin-side-table-carbon-oak-50cm/>

Logistic details: Box size 55X55X67 cm Weight: 24 kg

Chelsea Harbour Design Centre.
G11 Ground Floor Design Centre East
London SW10 0XF

E: info@eccotrading.com

T: +44 (203) 196 2730